

CHECKWEIGHER

# AD4961-600-1224



Capacity 600g x 0.01g

Conveyor belt width 120mm



**AND**  
A&D Australasia  
"Excellence in Measurement"  
[www.andweighing.com.au](http://www.andweighing.com.au)

## Specifications

Model	AD-4961-600-1224
Capacity	600 g
Resolution	0.01 g
Accuracy (3 $\sigma$ )*1	0.08 g
Max. throughput	400 pcs/min
Conveyor belt width	120 mm
Conveyor length	Infeed 360mm, Weighing 240 mm
Transport medium	Urethane belt
Conveyor belt speed	15 ~ 120 m/min
Max. product dimensions	Length: 22 ~ 200 mm Width: 120 mm
Weighing sensor	Strain gauge load cell
Display	7 inch touch panel color display (WVGA)
Operation method	Touch panel (resistive film type), operation buttons
Number of recorded items	1,000 items (10 groups x 100 items)
Communication functions	Modbus TCP / Modbus RTU / RS-232C / 485 (selectable) / TCP/IP (PostScript Printer) / USB (for PostScript printer, USB memory, data storage, image import use)*2
External input	Non-voltage contact input 4 points
External output	Relay output 8 points
Dust / water resistance specifications	IP65
Operation temperature / humidity range	-5 ~ 40°C humidity below 85% (with no condensation)
Power supply*3	Single phase AC100V -240V (+10% / -15%), 50/60Hz 180 VA
External dimensions	Length: 606 mm / Width: 662 mm / Height: 713-863mm
Weight*4	Approx. 35 kg
Material	Display: ABS resin
	Conveyor unit: Aluminum (alumite coating) and PP resin
	Control box: Stainless steel (SUS304)
	Base unit: Stainless steel (SUS304)

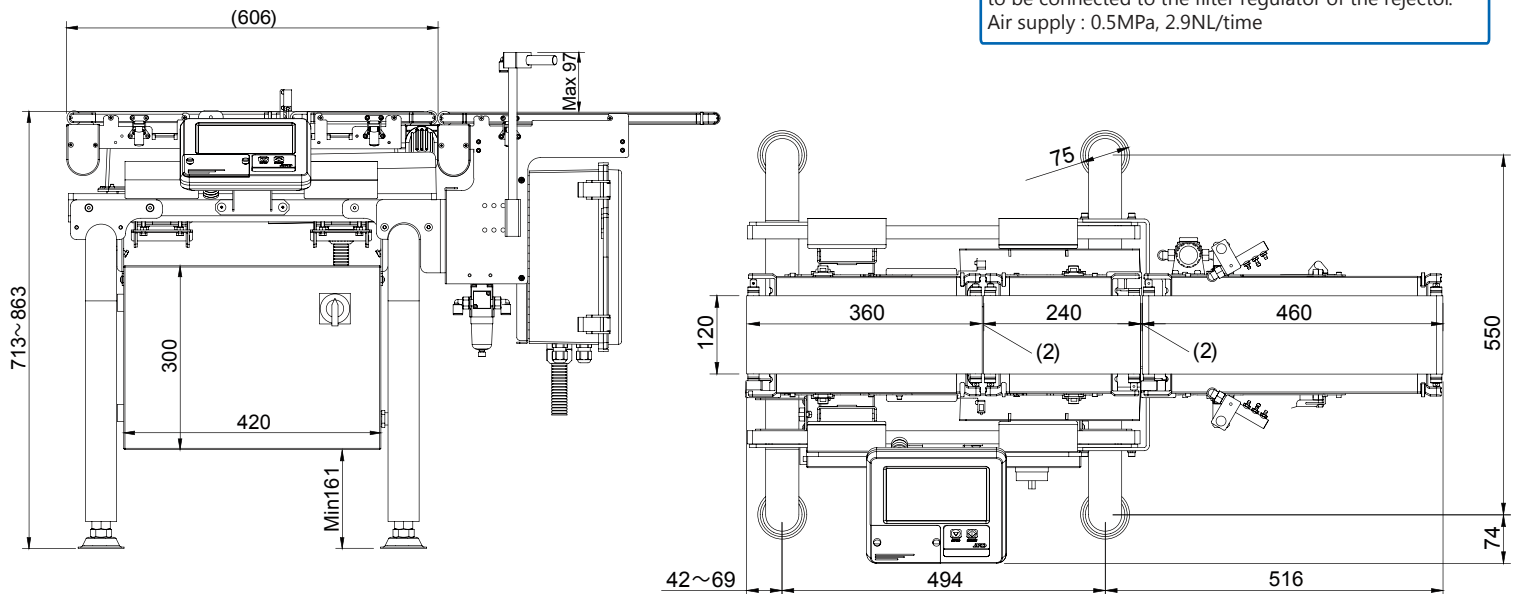
\*1 Depends on the shape and the condition of the product and installation environment.

\*2 USB memory must be formatted to FAT32.

\*3 Please prepare a  $\Phi$  4-7 mm power cable

\*4 Values for external dimensions and weight are for the standard condition without rejector.

## Checkweigher with Airjet Rejector



Please prepare an air compressor with a  $\phi$ 10mm air tube to be connected to the filter regulator of the rejector.  
Air supply : 0.5MPa, 2.9NL/time

## Options



### Display Stand AD-4961-01

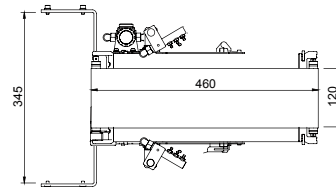
The display is attached on the opposite side from the standard display position, across from the user. The display is located approx. 310 mm (12 in.) above the conveyor belt



### Tower Light AD-4961-02

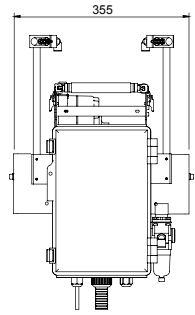
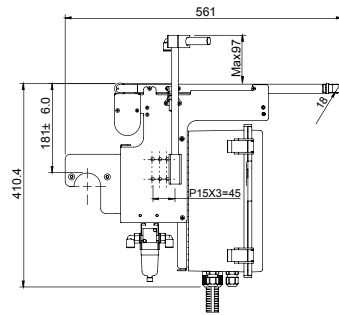
Highly visible three color LED tower. Easy configuration with the AD-4961 checkweigher using DO (Digital Output) map setting.

\* AD-4961-01 display stand is required to install this option.  
\* Dust and water resistance level is IP53.



### Airjet Rejector AD-4984-1246

Sorting capacity  
400pcs/min



**AD**  
A&D Australasia  
ACN 26 007 556 809

Head Office  
32 Dew Street  
THEBARTON South Australia 5031  
Telephone (08) 8301 8100  
Facsimile (08) 8352 7409

Victorian Office  
39 Bakehouse Road  
KENSINGTON Victoria 3031  
Telephone (03) 9371 1555  
Facsimile (03) 9372 1193

New South Wales Office  
Unit 4, 14 Abbott Road  
SEVEN HILLS New South Wales 2147  
Telephone (02) 9674 5466  
Facsimile (02) 9674 2544

sales@andweighing.com.au  
www.andweighing.com.au

Your Dealer

