

TS Series



Stainless Steel
SUS 304 Chassis



Waterproof Circular Connectors



IP66 Certification
Fanless & Ventless



TRITON
— Est. 1984 —
Processing Intelligence

The stainless steel TS Series is a leading Industrial Touchscreen PC with a combined true flat touchscreen, slim edge, SUS304 with round corner enclosure, and most importantly – IP66 protection for the whole unit.

Full IP66 SUS304 stainless Panel PC series are suitable for Food & Beverage, Packing, Slaughter house, Sanitary ware factory, Industrial Automation, Logistics, Warehousing.



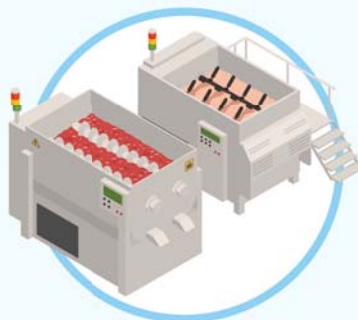
When it comes to electrical machinery, a reliable and consistent power supply is indispensable. Combining the advantages of a lightweight plastic housing with mechanical robustness of industrial connectors, the TS Series represents a reliable solution for the most demanding harsh environments.

- Robust housing
- High-quality contact surfaces
- Reliable power transmission
- Intuitive to handle

Applications



Slaughterhouse

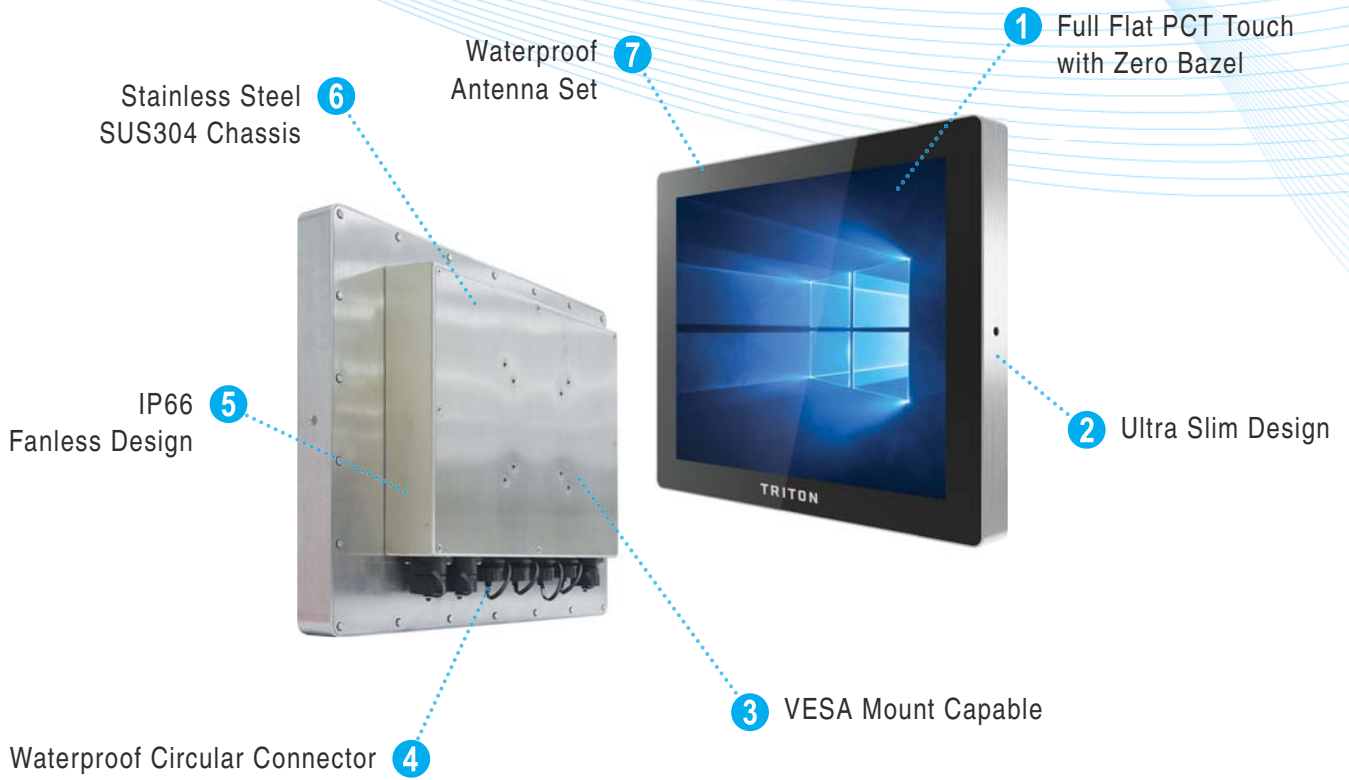


Food Processing



Cold Storage

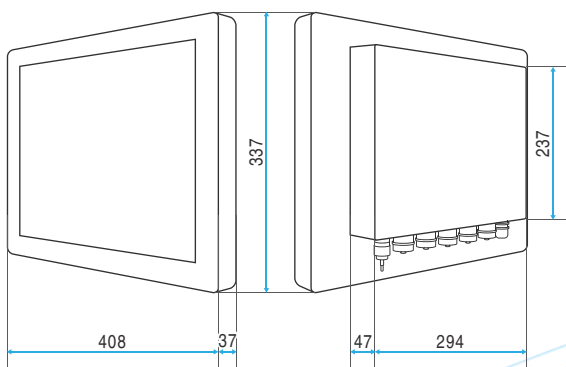
Features



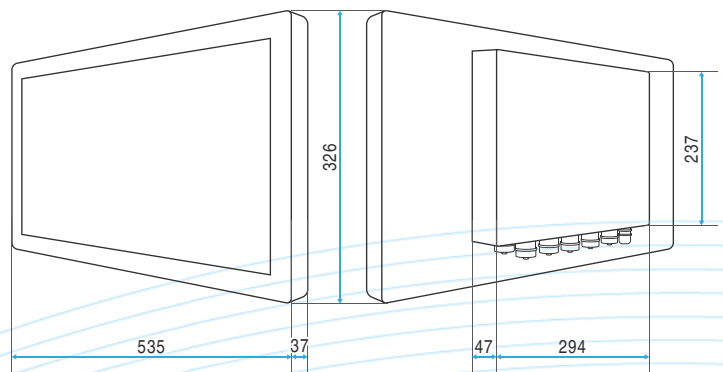
Model Dimensions

Unit: mm

17" Models



21" Models



I/O Connector



1 x Power | 1 x USB | 3 x LAN | 2 x Serial



SPECIFICATIONS

TSI19PCT175SS | TSI19PCT215SS

TSI3PCT17SS | TSI3PCT215SS

PROCESSOR	Intel Quad Core Celeron J1900 2.0 GHz (Turbo Boost up to 2.42 GHz)	Intel Dual Core i3-6100U 2.3 GHz
SYSTEM MEMORY	4 GB DDR3L RAM (up to 8 GB)	4 GB DDR4 RAM (up to 32 GB)
STORAGE	128 GB half-slim SATA SSD	128 GB half-slim SATA SSD
DISPLAY		
SIZE	17" TFT LCD 21.5" TFT LCD	17" TFT LCD 21.5" TFT LCD
RESOLUTION	1280 x 1024 pixels 1920 x 1080 pixels	1280 x 1024 pixels 1920 x 1080 pixels
BRIGHTNESS	350 cd/m ² 250 cd/m ²	350 cd/m ² 250 cd/m ²
TOUCH SCREEN PANEL	Projected capacitive touch (10 point, multi-touch)	Projected capacitive touch (10 point, multi-touch)

I/O INTERFACE

USB PORT	1 x USB 2.0	1 x USB 2.0
SERIAL PORT	2 x DB9	2 x DB9
ETHERNET PORT	3 x RJ45 10/100/1000 Mbps	3 x RJ45 10/100/1000 Mbps

OPERATING SYSTEM

WINDOWS	10 IoT / 10 Pro
----------------	-----------------

ENVIRONMENT & MECHANICAL SPECIFICATIONS

DIMENSIONS & WEIGHT	17": 408 (W) x 337 (H) x 84 (D) mm 7.6 kg 21.5": 535 (W) x 326 (H) x 84 (D) mm 9.6 kg
CHASSIS MATERIAL	SUS 304 stainless steel
VESA PATTERN	75 x 75 mm / 100 x 100 mm
TEMPERATURE	Operating: -20°C to 60°C Storage: 0°C to 40°C
HUMIDITY	10% to 90% (non-condensing)
POWER CONSUMPTION	DC output: 12 V / 6 A 72 W (max.) AC input: 100 V-240 V

MODEL OPTIONS

WIRELESS LAN	Wi-Fi 802.11 b/g/n
---------------------	--------------------

ALL PRODUCT SPECIFICATIONS ARE SUBJECT TO CHANGE WITHOUT NOTICE.

Triton Commercial Systems

AU Phone: 1300 558 438
 NZ Phone: +64 3 3483 973
 E: solutions@tritoncomsys.com
 Live Chat Click Here

www.tritoncomsys.com



TRITON
 Est. 1984
Processing Intelligence